

**M12 male 90° X-cod. / RJ45 male 0° Gigabit**

PUR 4x2xAWG26 shielded gn UL/CSA 10m

Male straight – male straight

M12 – RJ45, 8-pole

X-coded

shielded

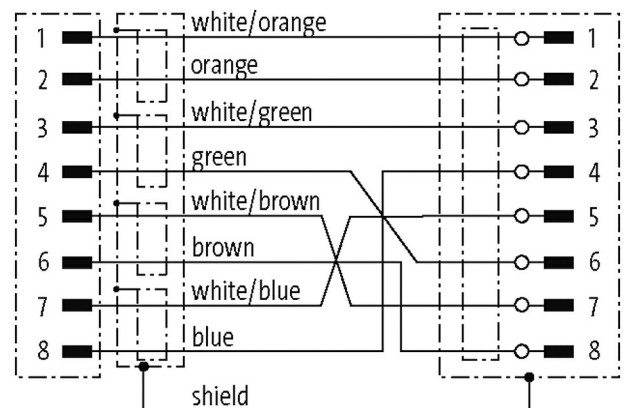
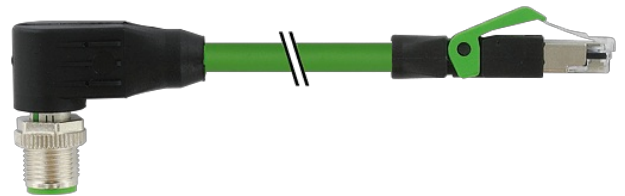
Ethernet CAT6A

Transmission properties with channel transmission up to 50 m

Further cable lengths on request.

Plastic housings with good resistance against chemicals and oils.

The resistance to aggressive media should be individually tested for your application. Further details on request.

**Link to Product****Illustration**

Product may differ from Image

**Approvals**

\* only for products with UL/CSA approved cable

**More Info**



**Form**

Form

51201

**General data**

Standards	DIN EN 61076-2-109 (M12)
Pollution Degree	3
Temperature range	-25...+85 °C, depending on cable quality

#### Cables

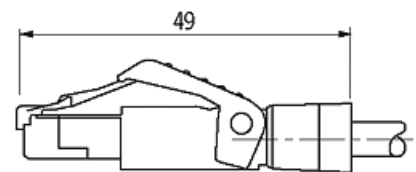
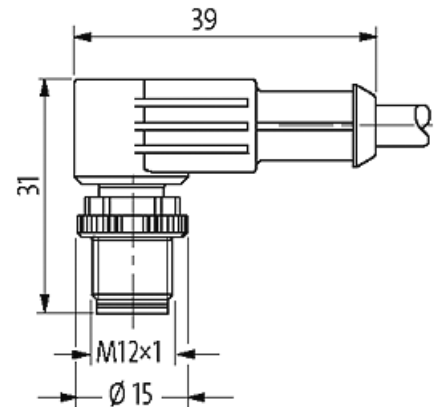
No./diameter of wires	4 × 2 × 0.14 mm <sup>2</sup>
Wire isolation	PE (wh/bl, bl, wh/or, or, wh/gn, gn, wh/br, br)
Material (jacket)	PUR (UL/CSA)
Outer Ø	6.4 mm ±5%
Bend radius (moving)	10 × outer Ø
Temperature range (fixed)	-30...+80 °C
Temperature range (mobile)	-10...+50 °C
Cable identification	790
Approval (cable)	UL (AWM-Style 20236/1598), CSA; CE
Cable weight [g/m]	52,80
Material (wire)	Cu wire, bare
Resistor (core)	max. 143 Ω/km (20 °C)
Single wire Ø (core)	0.16 mm
Diameter (core)	4 × 2 × 0.14 mm <sup>2</sup>
Material (wire isolation)	PE
Wire-Ø incl. isolation	1.05 mm ±5%
Color/numbering of wires	wh/or+or, wh/bl+bl, wh/br+br, wh/gn+gn
Shield	yes
	min. 65%
Material (jacket)	PUR
Outer-Ø (jacket)	6.4 mm ±5%
Color (jacket)	green
thermal resistance	flame retardant
Nominal voltage	125 V AC
Test voltage	1500 V (wire/wire); 1000 V (wire/shield)
Temperature range (fixed)	-40...+80 °C
Temperature range (mobile)	-10...+50 °C
Bend radius (fixed)	8 × outer Ø
Bend radius (moving)	10 × outer Ø
Jacket Color	green

#### Technical Data

Operating voltage	max. 60 V DC
Operating voltage (only UL listed)	max. 30 V DC
Rated surge voltage	1.0 kV
Operating current per contact	max. 0.5 A
Material group	IEC 60664-1, category I
Transfer parameters	CAT6, Class EA (ISO/IEC 11801:2002), (EN 50173-1)
Transfer rate	10 Gbit/s
Coding	X-coded
Locking of ports	Screw thread (M12×1 mm) recommended torque 0.6 Nm, self-securing
Compression gland	M12 (SW13)
Protection	IP67 (M12) - IP20 (RJ45)
Locking material	Zinc die casting, matte nickel plated
Material	PUR

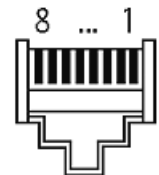
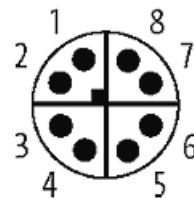
#### Commercial data

country of origin	DE
customs tariff number	85444290
EAN	4048879642897
eClass	27061801
Packaging unit	1

**Sketch**

Male

Male



Product may differ from Image